

ABOUT US

YMFG was established in 2015 with an investment of 40 million Baht. Actually, more than 25 years know-how of rim's manufacture. Well known for best color of anodized in motorcycle rim and good quality of plating service. All products and services are recognized as high quality. It has been certified and follows by many international standards such as Thai Industrial Standard (TIS), Indonesian National Standard (SNI), International Organization of Standard (ISO)

To expand the process and quality. There are more investments. To create a testing in laboratory center. For the response to quality control and develop an innovation.



FINISHING

A Standardized anodization process in order to enhance both durability and physical attractiveness.

Rustproof Chromium Plating

Plated with high quakity-strictly controlled-automated plating process which gives more durability and longer lasting shine.

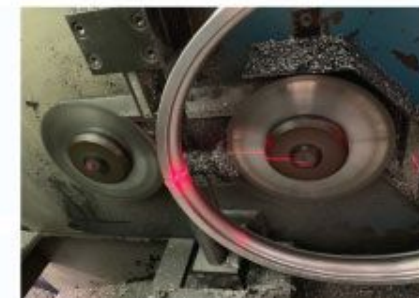


ECO FRIENDLY

A Production process that reduces the outflow of pollution to surrounding environments and society with concerns.

OBJECTIVE:

YMFG 's main business is preparing and manufacturing all metal parts, while mainly focusing on develop technology and standard.



MISSION:

To provide all our knowledge through all effective manufacturing of surface finishing / Plating / Metal task, while giving the highest priority to the Quality.



Aluminum Profile

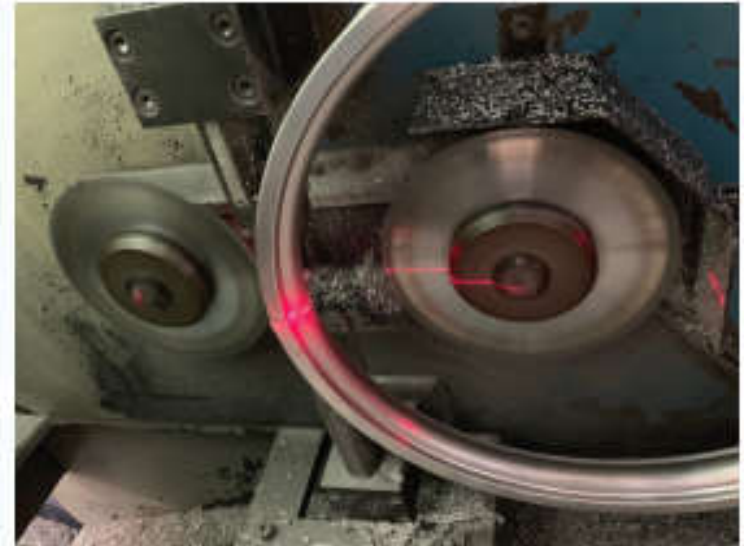
Finishing: Anodize & Plating

Design and Manufacture by
YOKO MANUFACTURING CO.,LTD
168/1 Moo 5 Pantai-Norasingsh,
Muang District, Samutsakorn
THAILAND 74000



OBJECTIVE:

YMFG 's main business is preparing and manufacturing all metal parts, while mainly focusing on develop technology and standard.



MISSION:

To provide all our knowledge through all effective manufacturing of surface finishing / Plating / Metal task. while giving the highest priority to the Quality.

Aluminum Profile

Finishing: Anodize & Plating



Certificate No. TH/18/1812297301



NPI 113-431-371846

SNI No.3727.487/43.040/XI/2017



OUR OBJECTIVE



FINISHING

A Standardized anodization process in order to enhance both durability and physical attractiveness.

Rustproof Chromium Plating

Plated with high quality-strictly controlled-automated plating process which gives more durability and longer lasting shine.



ECO FRIENDLY

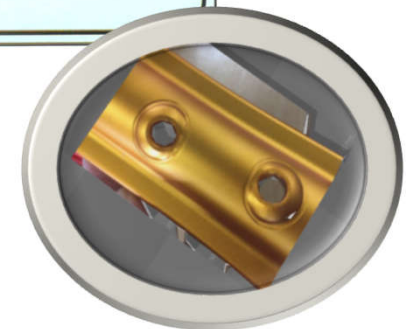
A Production process that reduces the outflow of pollution to surrounding environments and society with concerns.



WHAT WE DO?



F 41a



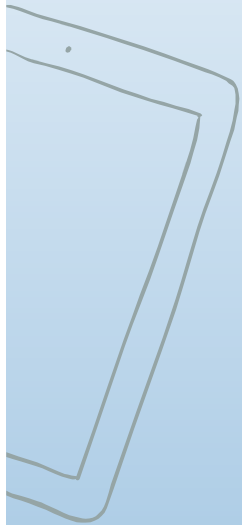
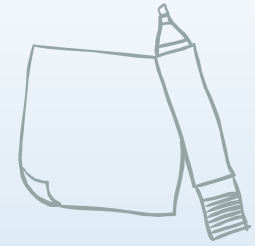
YOKO

WHERE PERFORMANCE
COMES WITH DESIGN

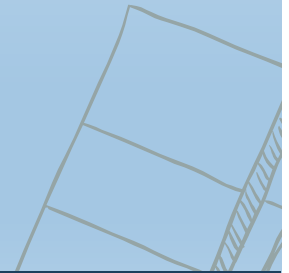


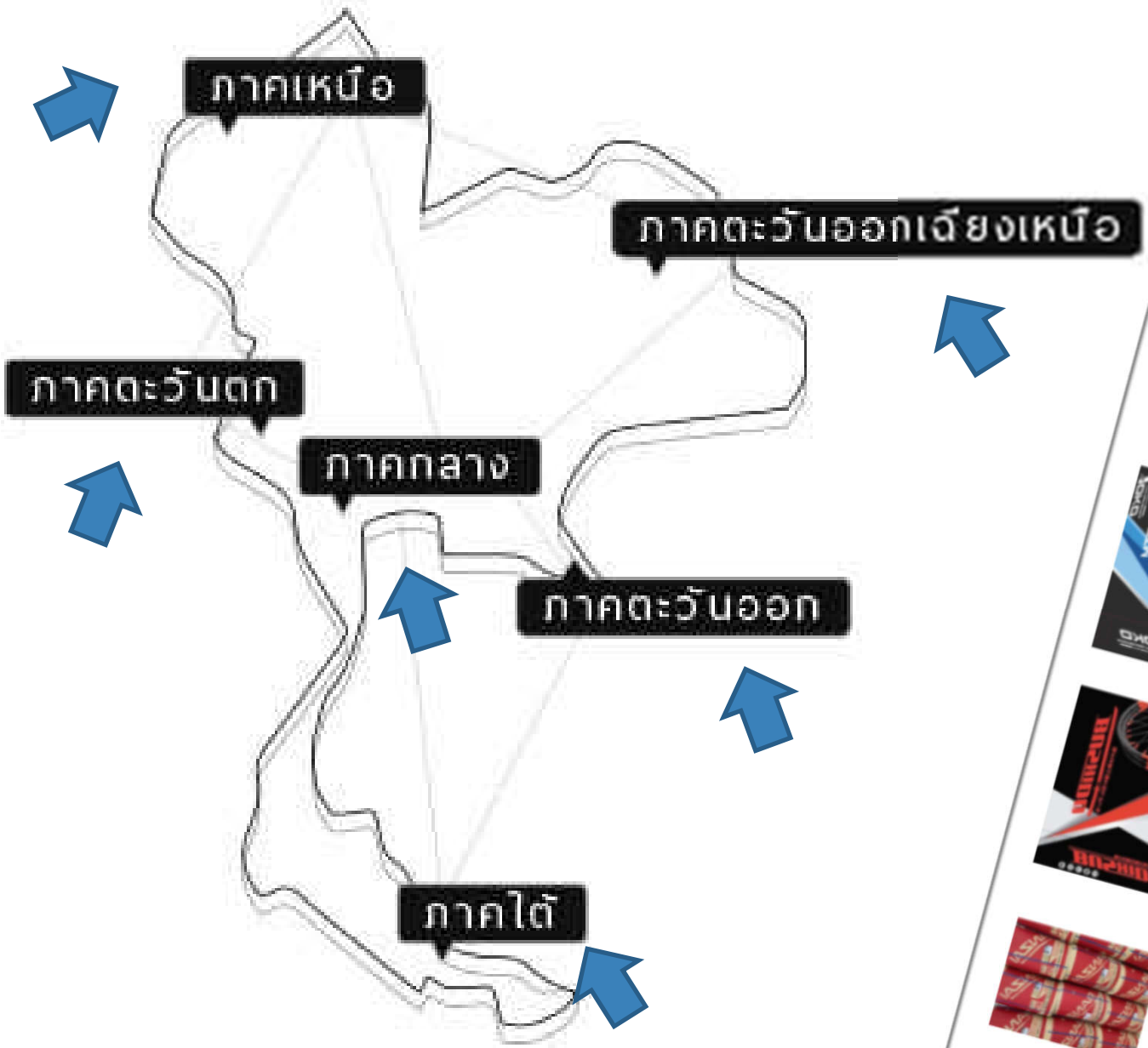
YOKO

OUR PRODUCT



OUR CUSTOMER





OUR CUSTOMER



Export our product by
YKTRADING (THAILAND)



TAIKOM



OUR CUSTOMER

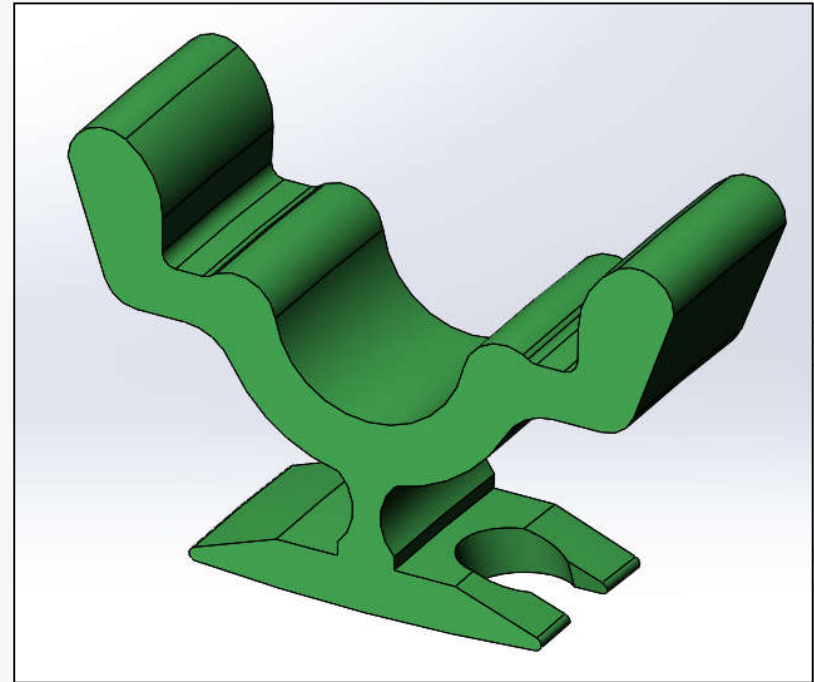
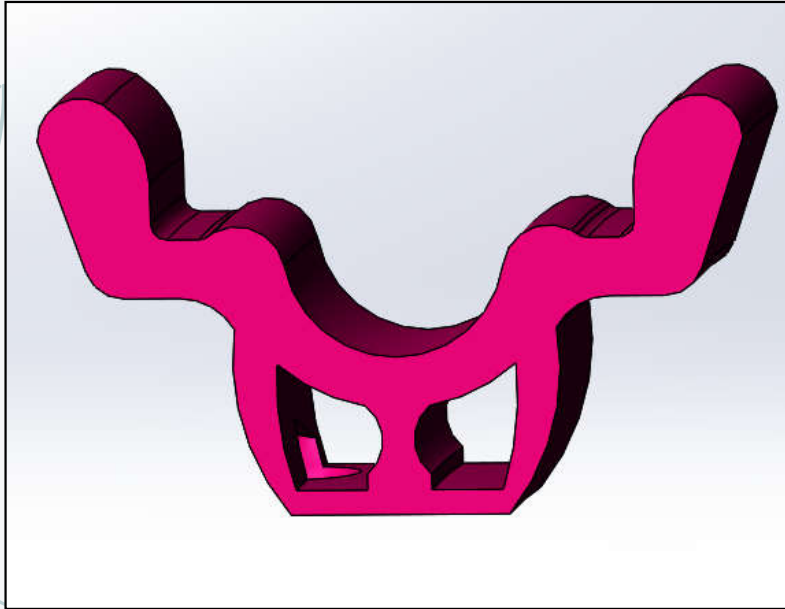


OUR DEVELOPMENT

สินค้าดี บริการเด่น เน้นคุณภาพ



OUR DEVELOPMENT

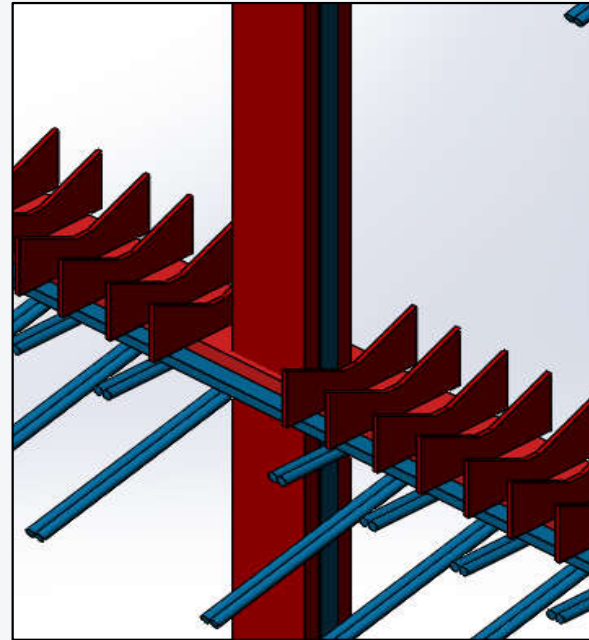
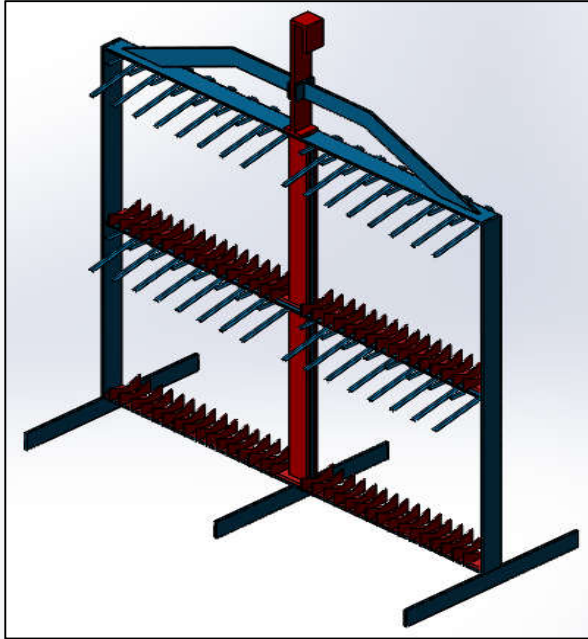


Project Tubeless

สินค้าดี บริการเด่น เน้นคุณภาพ



OUR DEVELOPMENT

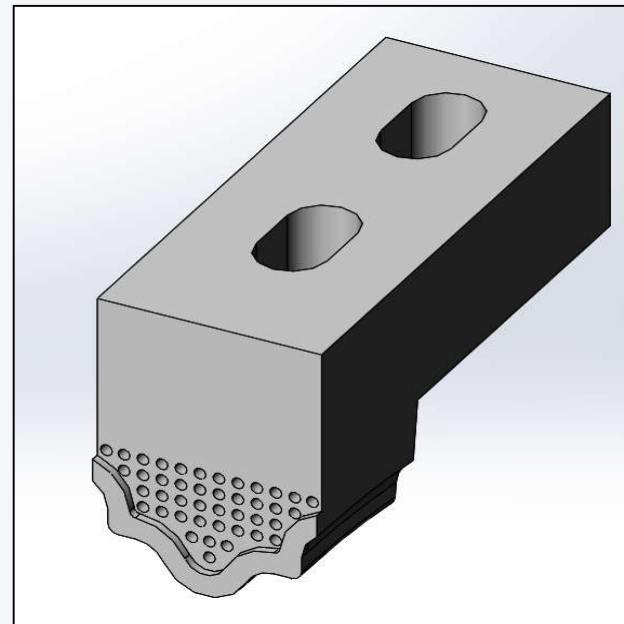
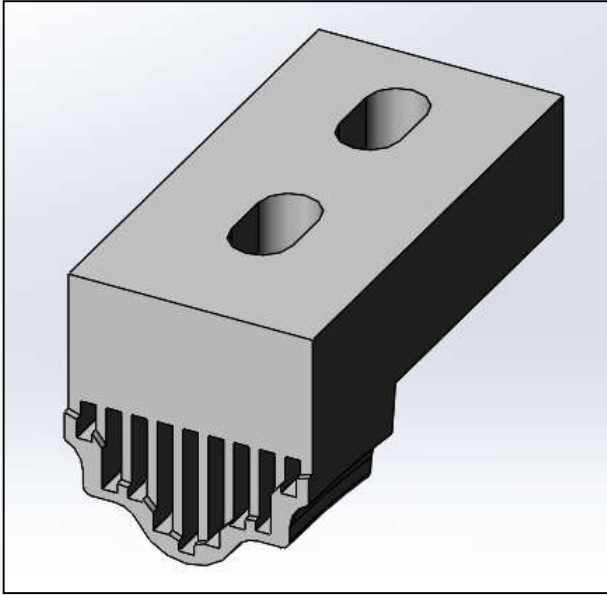


Project Tubeless

สินค้าดี บริการเด่น เน้นคุณภาพ



OUR DEVELOPMENT



สินค้าดี บริการเด่น เน้นคุณภาพ



OUR DECORATION



สินค้าดี บริการเด่น เน้นคุณภาพ



OUR DECORATION



สินค้าดี บริการเด่น เน้นคุณภาพ





THANK YOU