

1 2 3 4 5 6

A

A

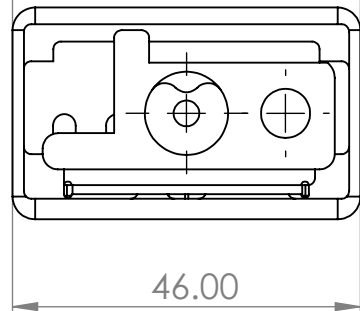
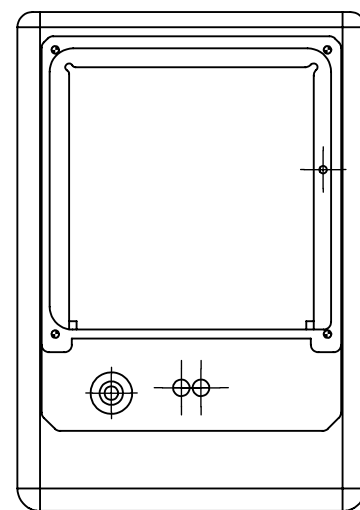
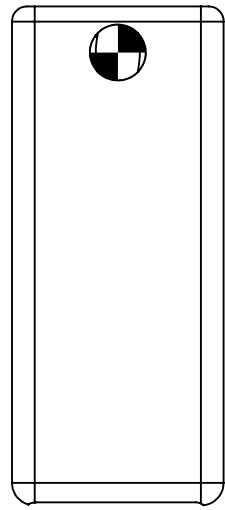
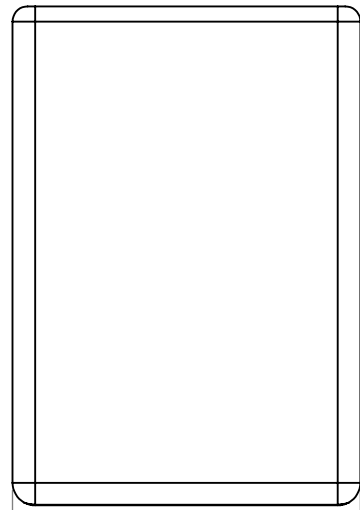
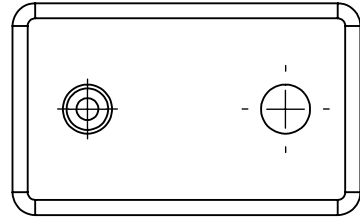
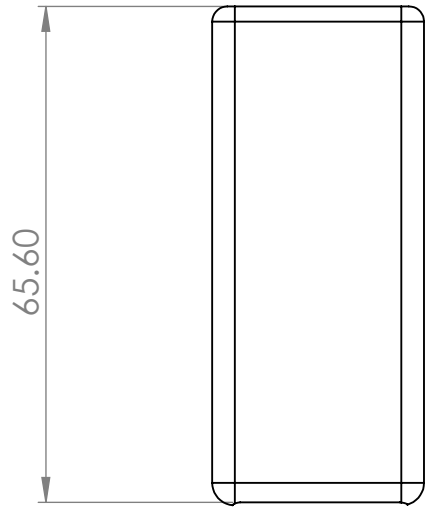
B

B

C

C

D



	NAME	DATE	SIGNATURE	MATERIAL	ALL INFORMATION CONTAINED IN THIS DRAWING IS THE EXCLUSIVE PROPERTY OF ERISCO INC. THE RECIPIENT AGREES NOT TO REPRODUCE THE DRAWING IN ANY FORM OR TO DISCLOSE ITS CONTENTS TO A THIRD PARTY WITHOUT PRIOR WRITTEN CONSENT FROM ERISCO INC.
DRAWN				SS-304	
CHECKED				UNLESS OTHERWISE SPECIFIED: DIMENSIONS ARE IN MILLIMETERS	
APPROVED					

TITLE			
Bearing Housing 6mm			
SCALE	DRAWING NUMBER	SHEET	REVISION
1:1	EHS-6-102	1 OF 1	1.0

1 2

1 2 3 4 5 6

A

A

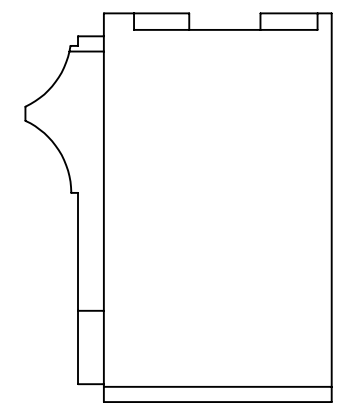
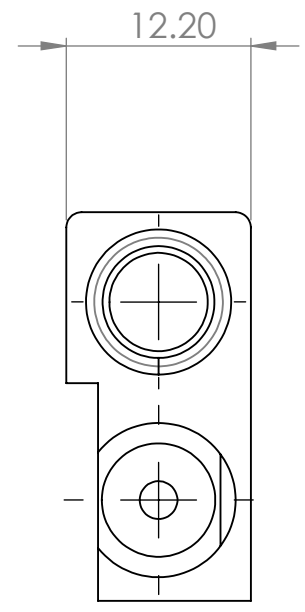
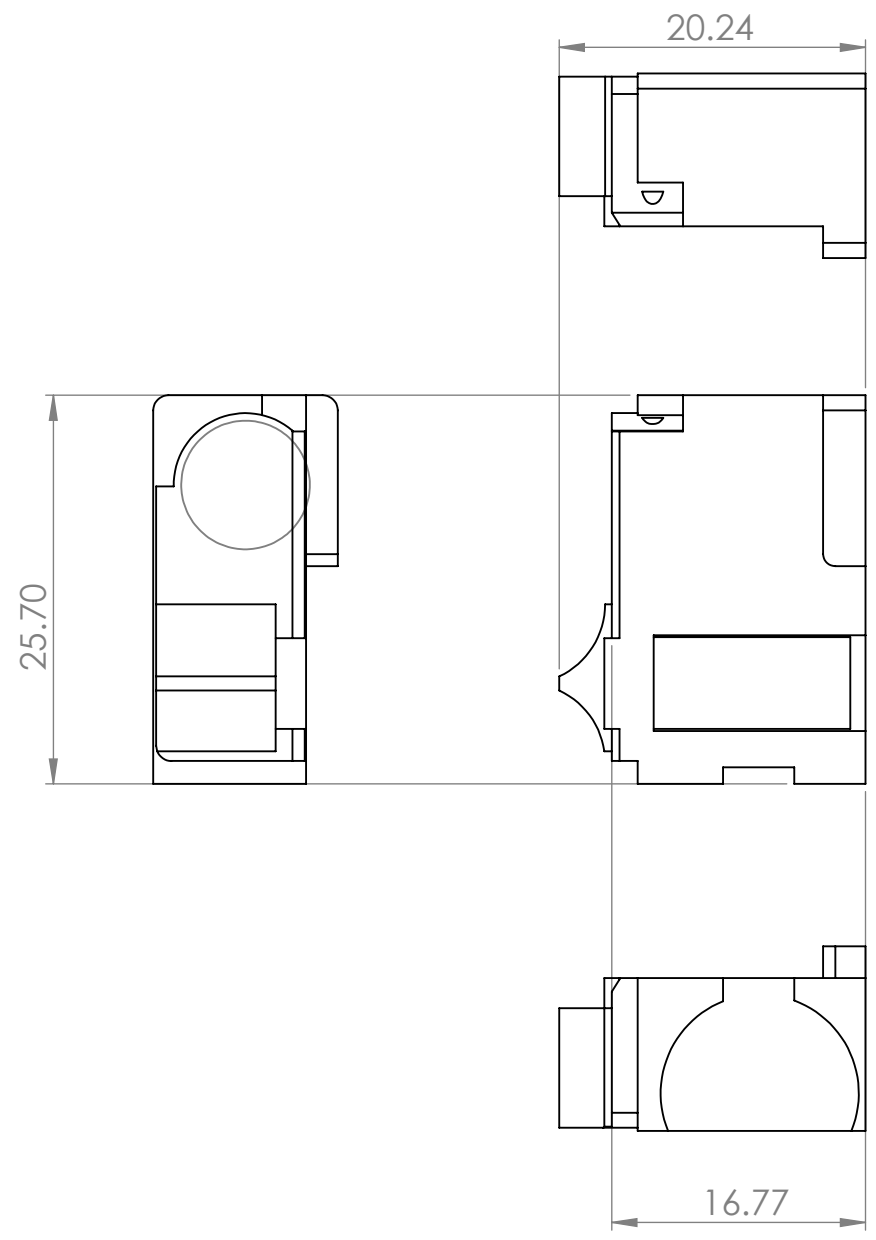
B

B

C

C

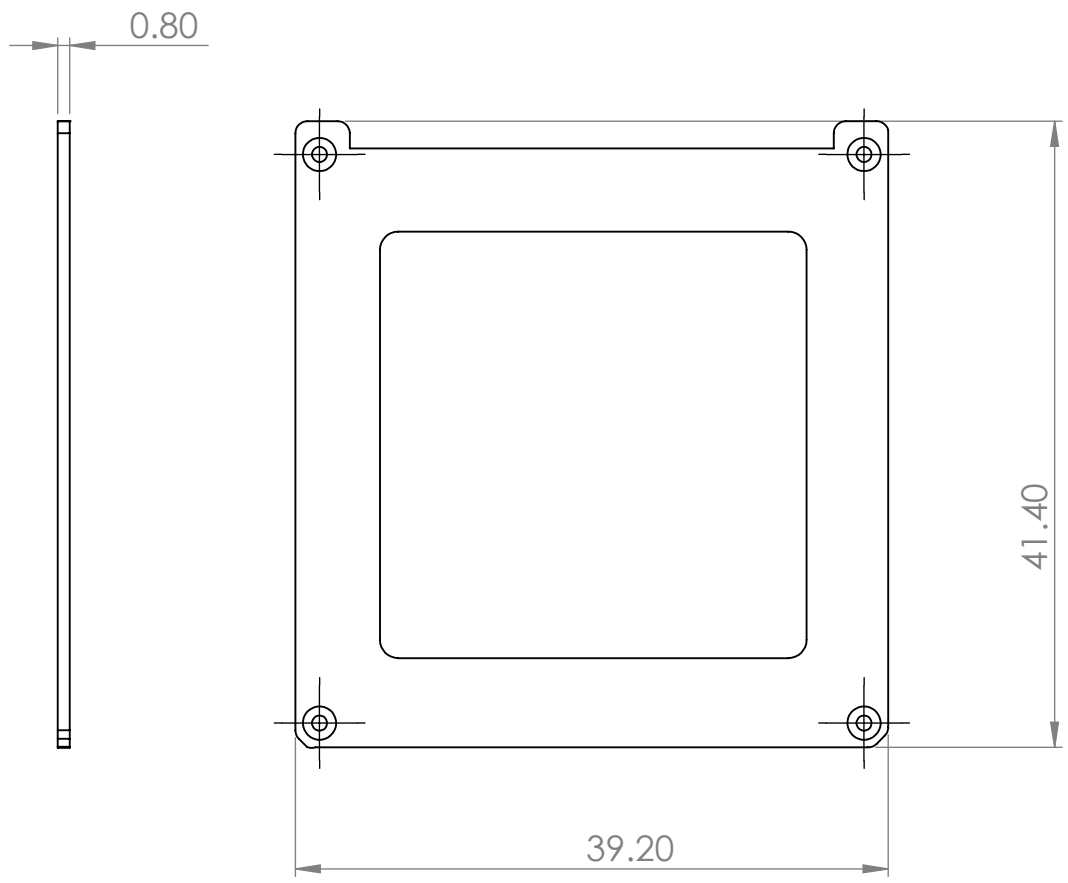
D



	NAME	DATE	SIGNATURE	MATERIAL	ALL INFORMATION CONTAINED IN THIS DRAWING IS THE EXCLUSIVE PROPERTY OF ERISCO INC. THE RECIPIENT AGREES NOT TO REPRODUCE THE DRAWING IN ANY FORM OR TO DISCLOSE ITS CONTENTS TO A THIRD PARTY WITHOUT PRIOR WRITTEN CONSENT FROM ERISCO INC.
DRAWN				ABS - Black	
CHECKED				UNLESS OTHERWISE SPECIFIED: DIMENSIONS ARE IN MILLIMETERS	
APPROVED					

TITLE			
Shackle Detect Seal			
SCALE	DRAWING NUMBER	SHEET	REVISION
2:1	EHS-6-104	1 OF 1	1.0

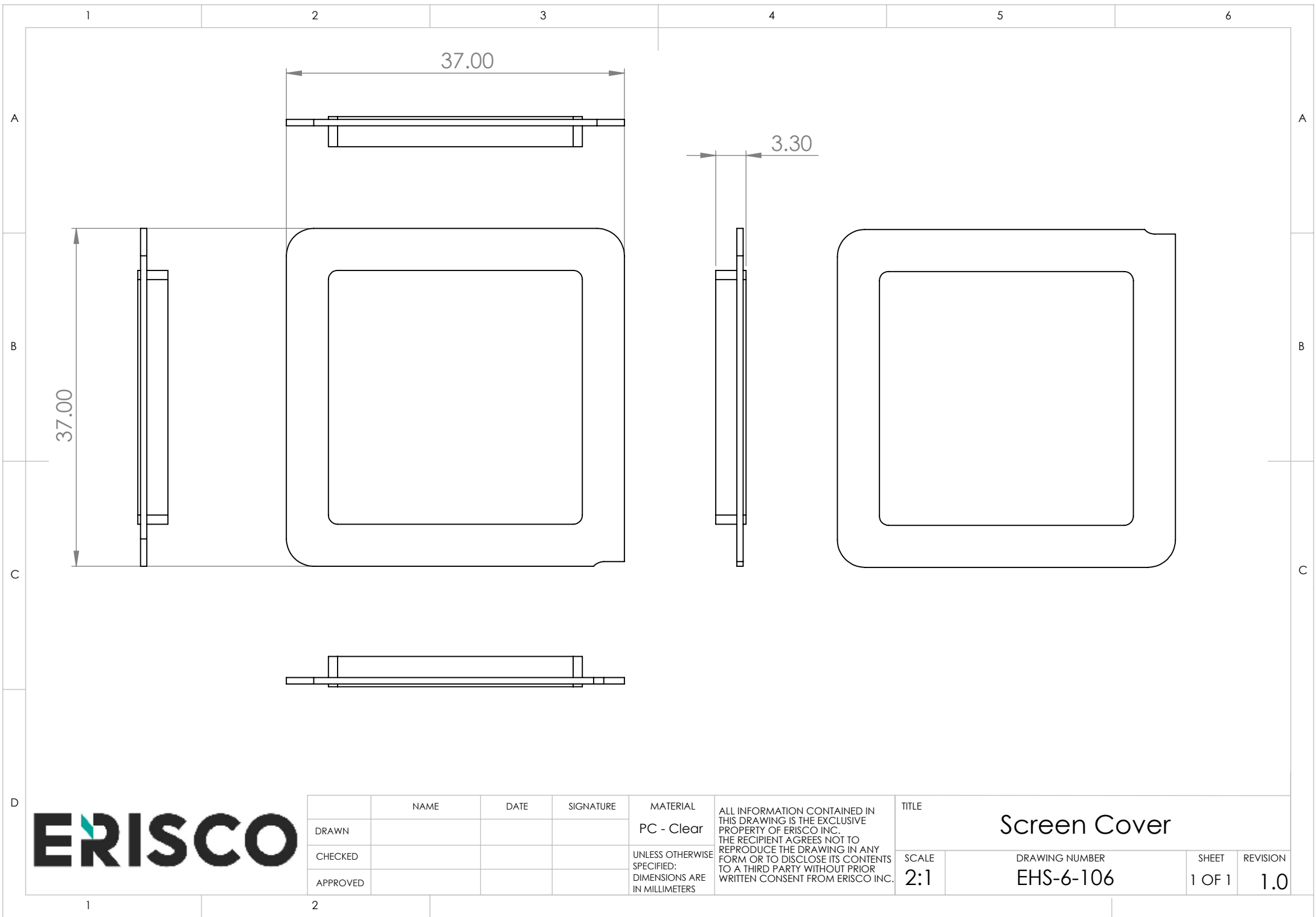
1 2



	NAME	DATE	SIGNATURE	MATERIAL
DRAWN				SS-304
CHECKED				UNLESS OTHERWISE SPECIFIED: DIMENSIONS ARE IN MILLIMETERS
APPROVED				

ALL INFORMATION CONTAINED IN THIS DRAWING IS THE EXCLUSIVE PROPERTY OF ERISCO INC. THE RECIPIENT AGREES NOT TO REPRODUCE THE DRAWING IN ANY FORM OR TO DISCLOSE ITS CONTENTS TO A THIRD PARTY WITHOUT PRIOR WRITTEN CONSENT FROM ERISCO INC.

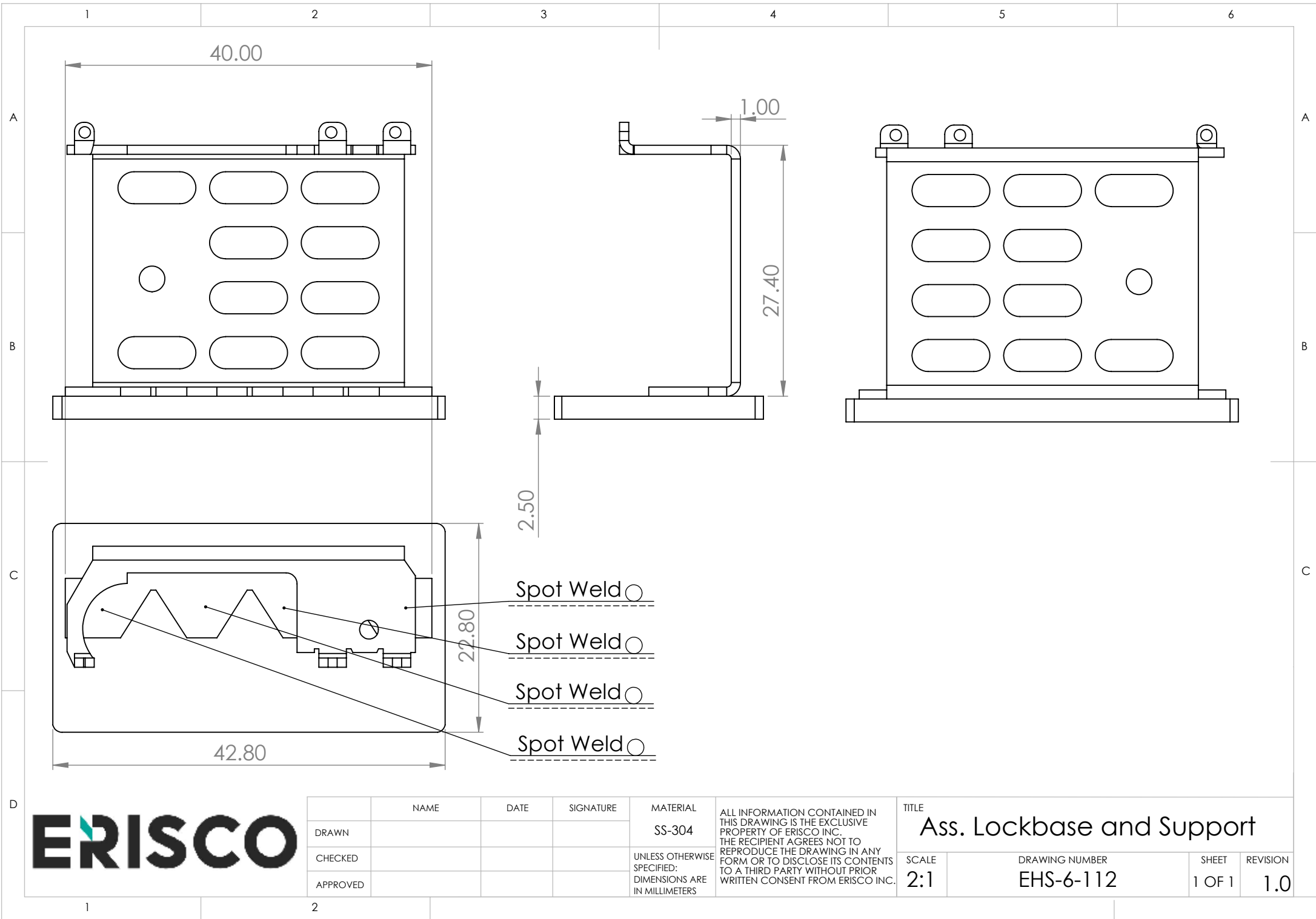
TITLE			
Screen Support			
SCALE	DRAWING NUMBER	SHEET	REVISION
2:1	EHS-6-105	1 OF 1	1.0



	NAME	DATE	SIGNATURE	MATERIAL
DRAWN				PC - Clear
CHECKED				UNLESS OTHERWISE SPECIFIED: DIMENSIONS ARE IN MILLIMETERS
APPROVED				

ALL INFORMATION CONTAINED IN THIS DRAWING IS THE EXCLUSIVE PROPERTY OF ERISCO INC. THE RECIPIENT AGREES NOT TO REPRODUCE THE DRAWING IN ANY FORM OR TO DISCLOSE ITS CONTENTS TO A THIRD PARTY WITHOUT PRIOR WRITTEN CONSENT FROM ERISCO INC.

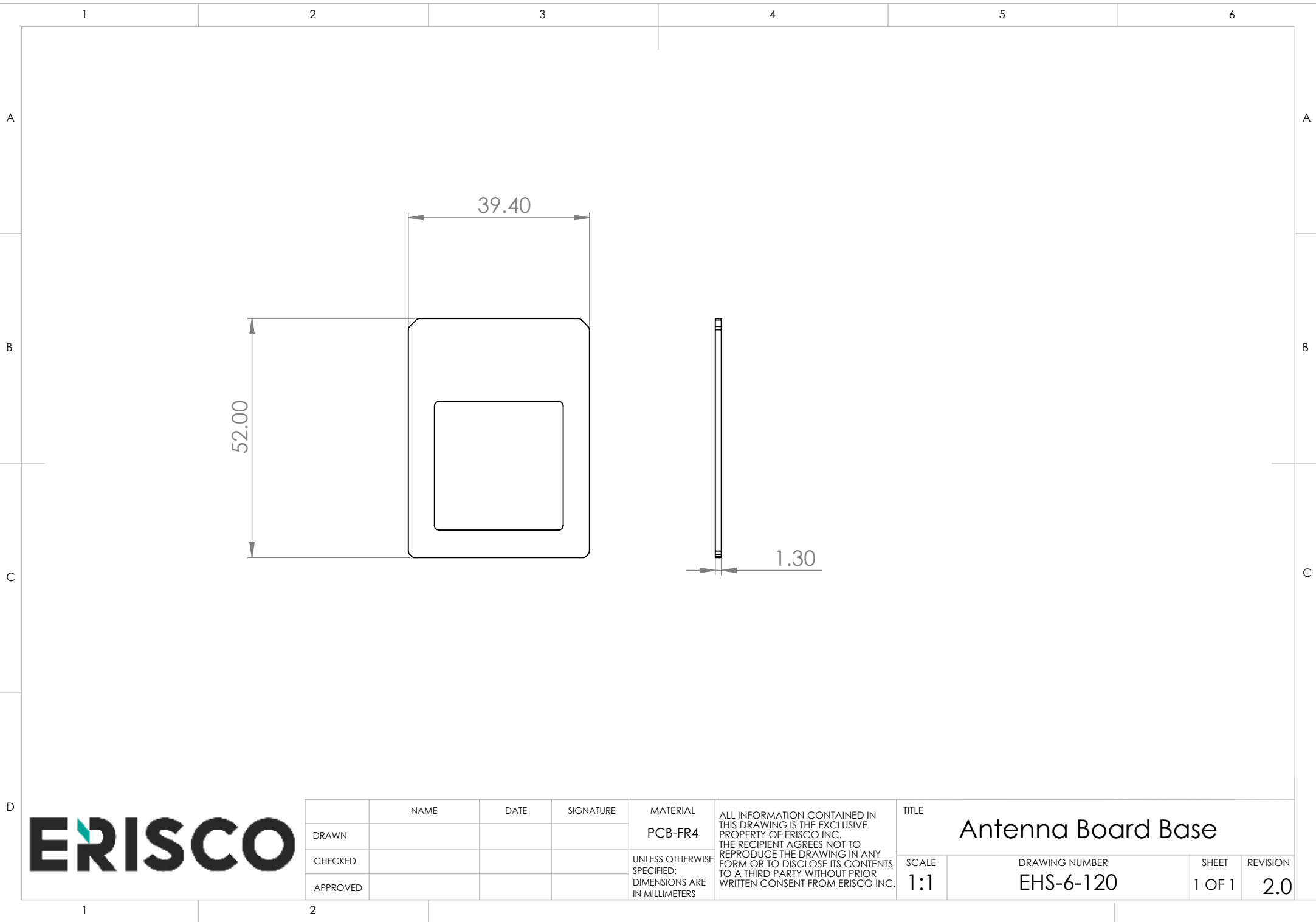
TITLE		DRAWING NUMBER		SHEET	REVISION
Screen Cover		EHS-6-106		1 OF 1	1.0
SCALE					
2:1					



	NAME	DATE	SIGNATURE	MATERIAL
DRAWN				SS-304
CHECKED				UNLESS OTHERWISE SPECIFIED: DIMENSIONS ARE IN MILLIMETERS
APPROVED				

ALL INFORMATION CONTAINED IN THIS DRAWING IS THE EXCLUSIVE PROPERTY OF ERISCO INC. THE RECIPIENT AGREES NOT TO REPRODUCE THE DRAWING IN ANY FORM OR TO DISCLOSE ITS CONTENTS TO A THIRD PARTY WITHOUT PRIOR WRITTEN CONSENT FROM ERISCO INC.

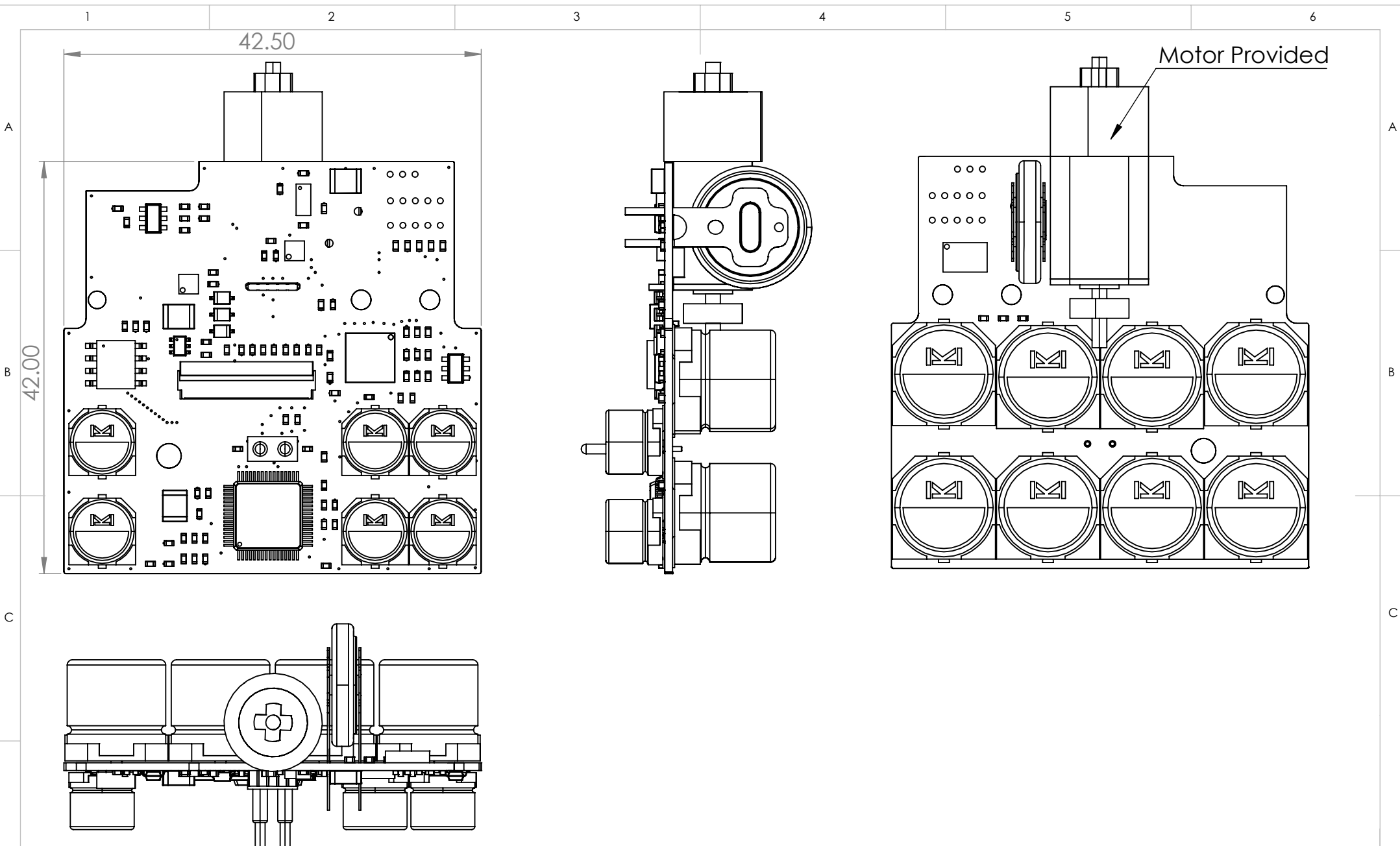
TITLE			
Ass. Lockbase and Support			
SCALE	DRAWING NUMBER	SHEET	REVISION
2:1	EHS-6-112	1 OF 1	1.0



	NAME	DATE	SIGNATURE	MATERIAL
DRAWN				PCB-FR4
CHECKED				UNLESS OTHERWISE SPECIFIED: DIMENSIONS ARE IN MILLIMETERS
APPROVED				

ALL INFORMATION CONTAINED IN THIS DRAWING IS THE EXCLUSIVE PROPERTY OF ERISCO INC. THE RECIPIENT AGREES NOT TO REPRODUCE THE DRAWING IN ANY FORM OR TO DISCLOSE ITS CONTENTS TO A THIRD PARTY WITHOUT PRIOR WRITTEN CONSENT FROM ERISCO INC.

TITLE			
Antenna Board Base			
SCALE	DRAWING NUMBER	SHEET	REVISION
1:1	EHS-6-120	1 OF 1	2.0



NAME	DATE	SIGNATURE	MATERIAL	ALL INFORMATION CONTAINED IN THIS DRAWING IS THE EXCLUSIVE PROPERTY OF ERISCO INC. THE RECIPIENT AGREES NOT TO REPRODUCE THE DRAWING IN ANY FORM OR TO DISCLOSE ITS CONTENTS TO A THIRD PARTY WITHOUT PRIOR WRITTEN CONSENT FROM ERISCO INC.	TITLE			
DRAWN			PCBA		SCALE 2:1	DRAWING NUMBER EHS-CC-13	SHEET 1 OF 1	REVISION 3.1
CHECKED			UNLESS OTHERWISE SPECIFIED: DIMENSIONS ARE IN MILLIMETERS					
APPROVED								